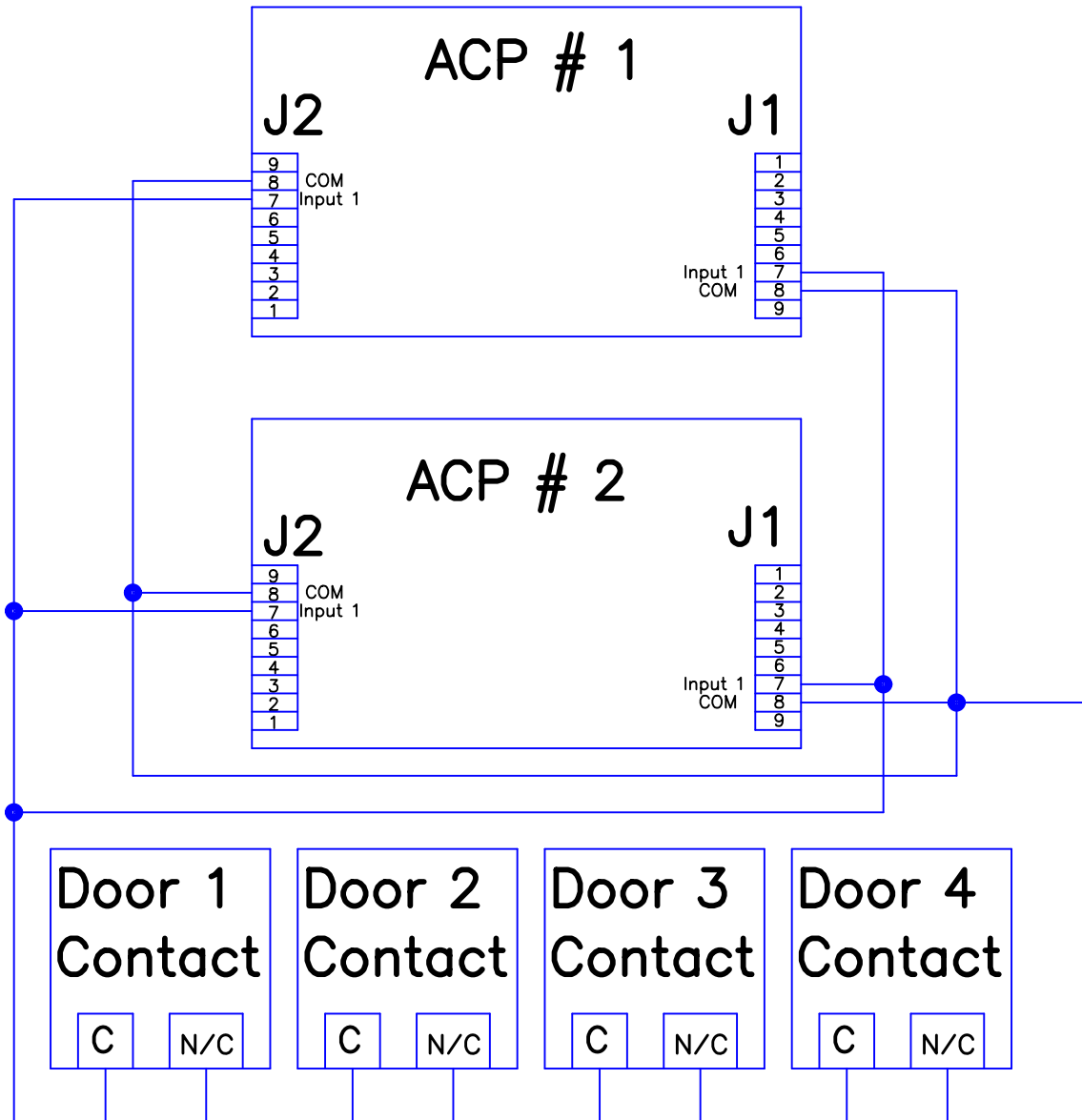


# SK-ACP 4 DOOR MAN TRAP



**Notes:**

- 1 - Input 1 programmed for arming circuit
- 2 - For a two door mantrap, remove ACP2, Door 3 and Door 4



20301 Nordhoff Street  
 Chatsworth, CA 91311  
 818-882-0020 • Fax: 818-882-7052  
 TOLL-FREE: (800) 891-0020  
 Website: www.securakey.com