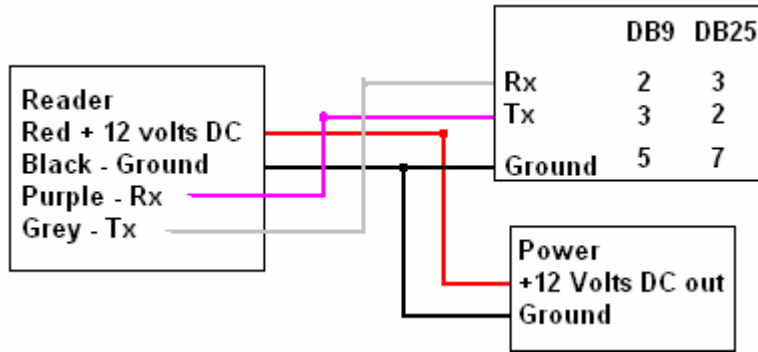


Doc # 0164114

How to Perform a Firmware Upgrade on an eTagiV Reader

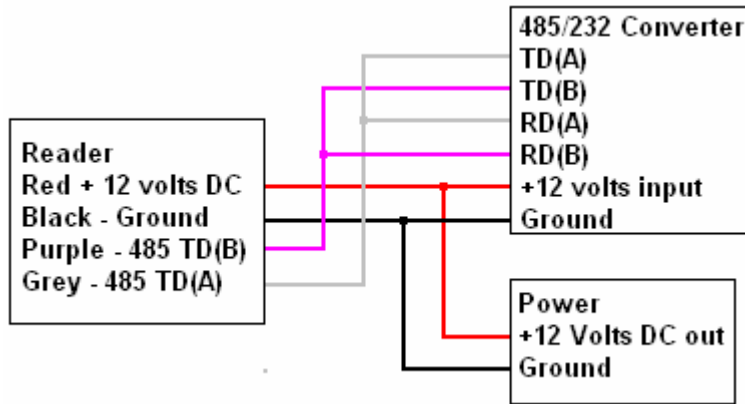
1. Setup for an RS-232

1.1 Connect the power and 232 wires between the reader and the Rs232 connector.



2. Setup for an RS-485

2.1 Connect the power and 485 wires between the reader and the 485/Rs232 converter.

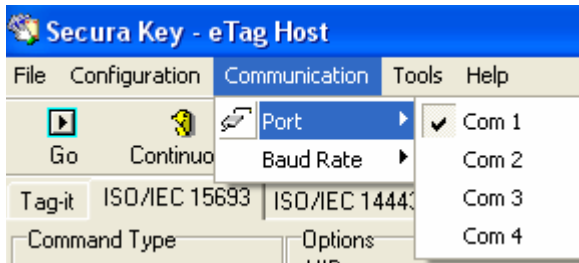


3. Verify Communications

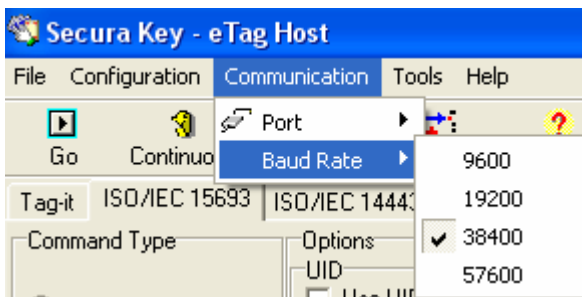
3.1 Turn on power to the reader.

3.2 Run the eTag Host application.

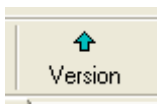
3.3 Select the Menu item Communication, Port and select the port number your reader is connected to.



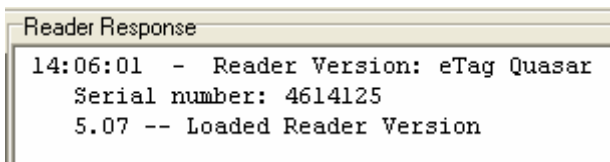
3.4 Select the Menu item Communication, Baud Rate and select the Baud rate the reader is set to. The factory default is 38400 so select this baud rate if you have not changed the reader’s baud rate.



3.5 Select the Version Icon. If the eTag Host and the Reader are communicating the eTag Host will display the serial number and firmware version of the reader.



3.6 This is one example of the response for the Version request. Your reader’s serial number will differ and the firmware version will probably differ too. Just make sure the serial number matches that of your reader.

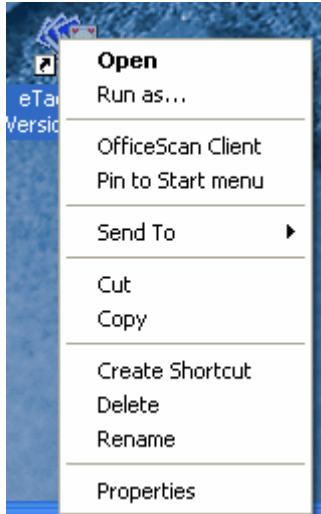


4. Upgrade Firmware

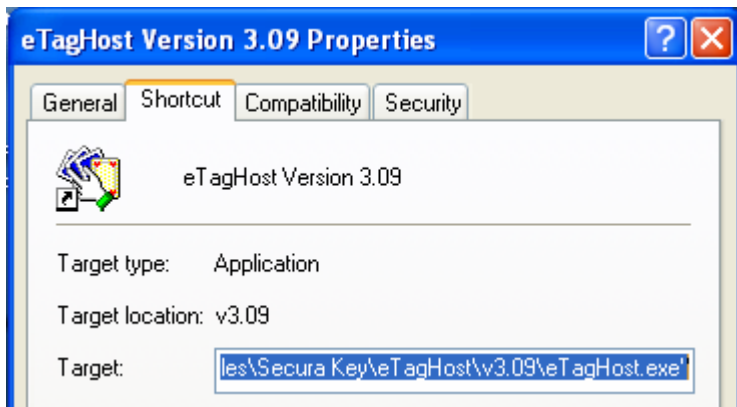
4.1 Put the cursor over the eTag-Host application and press the right mouse button.



4.2 Select properties.



4.3 The Target: text box displays the full path for the application.



In this case, the full path is

"C:\Program Files\Secura Key\eTagHost\v3.09\eTagHost.exe"

The application name is eTagHost.exe.

The directory this application resides in is C:\Program Files\Secura Key\eTagHost\v3.09.

4.4 This step requires having access to the Reader.enc file for this version of firmware.

Copy the Reader.enc file to the same directory where eTagHost resides.

For this example, the Reader.enc file would be copied to

C:\Program Files\Secura Key\eTagHost\v3.09

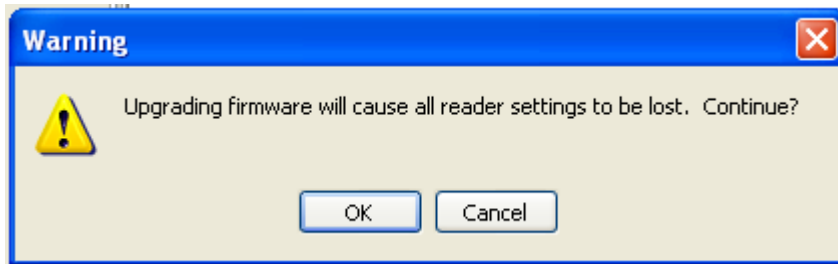
4.5 Run the eTagHost application.

4.6 From the menu bar select Tools

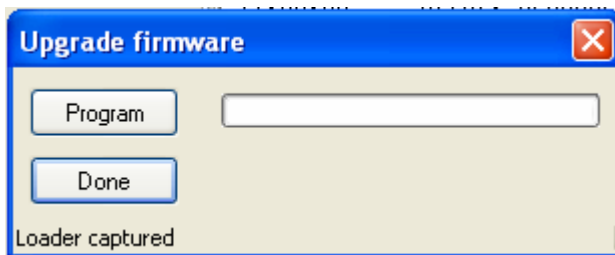
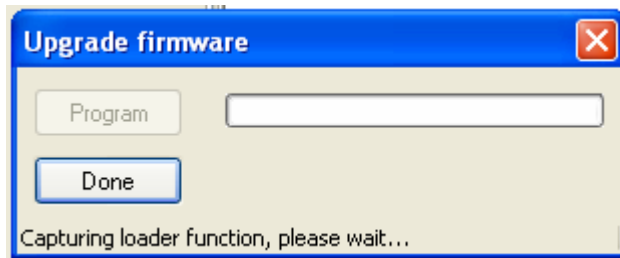


4.7 Select Upgrade firmware...

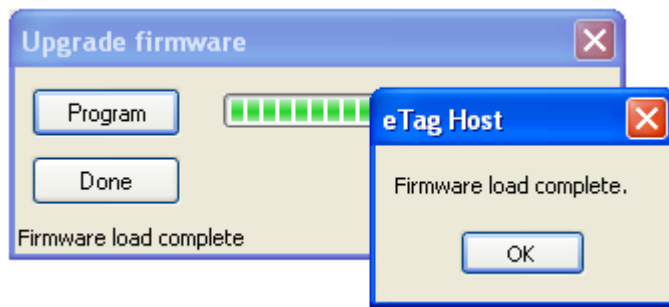
4.8 Select OK to this dialog box.



4.9 When the program button becomes enabled, select Program.



4.10 Verify the firmware correctly upgrades



4.11 After selecting OK the new firmware version will be displayed. In this example the reader's initial firmware version was 4.07 and the upgrade version was 4.05.

```
Reader Response
14:16:38 - Reader Version: eTag Quasar
Serial number: 4616054
4.05 -- Loaded Reader Version

14:16:21 - Error: Message timeout
14:16:11 - Reader Version: eTag Quasar
Serial number: 4616054
4.07 -- Loaded Reader Version
```

Revision History:

Rev.	Date	ECN #	Author	Summary
A	3/3/10	11472	W. Dow	Original Document