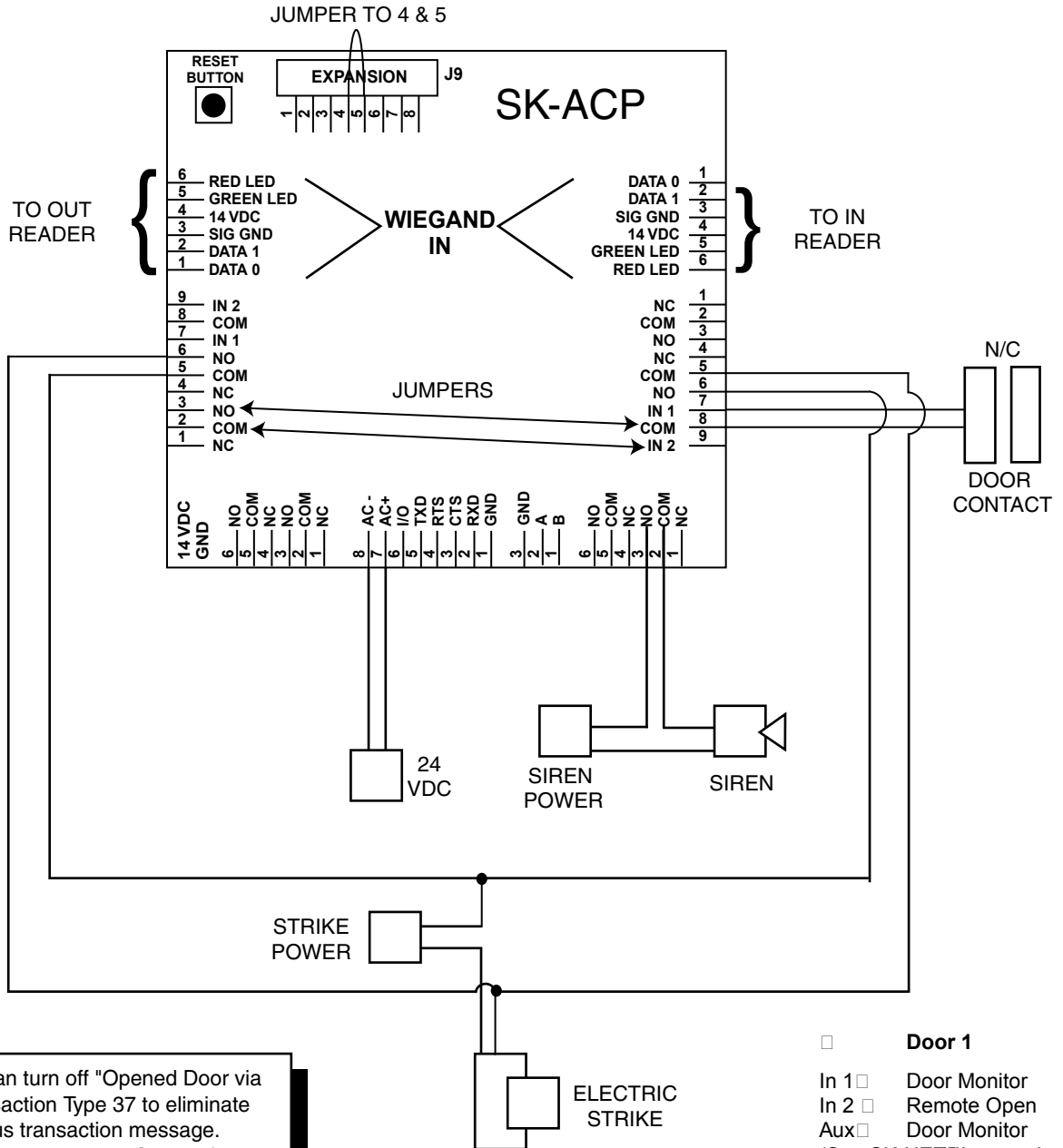


DOOR MONITOR INPUT/ALARM OUTPUT ON A DOOR WITH IN AND OUT READERS



* NOTE: You can turn off "Opened Door via Sensor" Transaction Type 37 to eliminate superfluous transaction message. (See SK-NET™ Manual Sec. 7.7)

- Door 1**
 - In 1 Door Monitor
 - In 2 Remote Open
 - Aux Door Monitor
- (See SK-NET™ manual Sec 5.31 - 5.34)