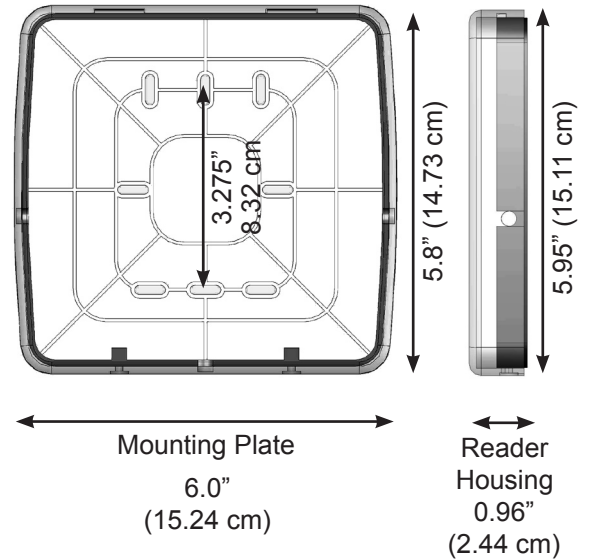


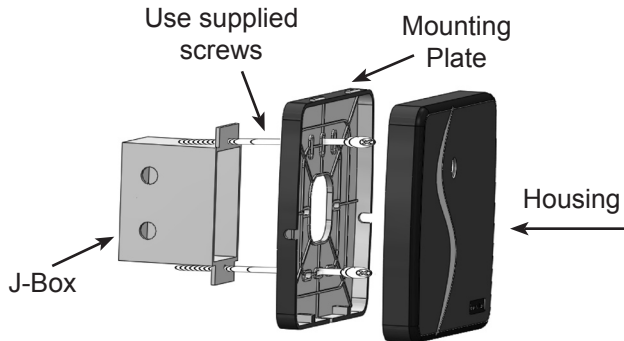
e*Tag® ET9-RO-W-MR Installation Instructions

Installation Steps For Midrange Reader

1. This reader is designed to mount on any flat surface. For outdoor mounting, especially on masonry, silicone caulking is recommended.
2. Attach the mounting plate to the mounting surface using the appropriate fasteners.
3. When mounting to a post flange or a J-box, use the 6-32 machine screws provided.
4. When mounting directly to metal, a 1-inch thick non-metallic spacer (customer supplied) between the reader and the mounting surface will improve read range.
5. If mounting directly to a wall surface, drill a ½" hole for the wiring connection. Using the mounting plate as a template, mark mounting hole locations, and use the #6 sheet metal screws and wall anchors provided.
6. Splice the connector pigtail to the cable that has been run to the control panel. Insert the connector into the back of the reader.
7. Attach the housing to the mounting plate by inserting the two tabs at the top of the mounting plate into the two slots inside the top of the housing.
8. Secure by installing two 4-40 screws into the holes at the bottom of the reader.



INSTALLATION DIAGRAM



Wire Color	ET9-RO-W-MR
GREEN	Wiegand Data 0
WHITE	Wiegand Data 1
VIOLET	N/A
GRAY	N/A
ORANGE	Green LED
BROWN	Red LED
YELLOW	Buzzer
BLUE	Hold Line
RED	5-14VDC +
BLACK	DC Ground

SPECIFICATIONS:

POWER REQUIREMENTS

5-14 VDC, Idle: 100 mA, When reading card: 200 mA

INPUTS & OUTPUTS

LED-Red	Ground to Activate
LED-Green	Ground to Activate
Buzzer Control	Ground to Activate
Hold Line	Ground to Activate

Cable Distance	500 ft.
Cable Type	5-10 conductor (depending on options used)

ENVIRONMENT

Ambient Temperature	-40° to +70°C (-40° to +158°F)
Humidity	0 to 100% (non-condensing)

COMMUNICATIONS

Wiegand	SIA Industry Standard Protocol
---------	--------------------------------

PARTS INCLUDED:

Reader Assembly with Mounting Plate
Cable Assembly, 18"
4 - 6-32 x ½" machine screws
4 - #6 x ¾" sheet metal screws
4 - #6 plastic wall anchors
2 - 4-40 x ¼" machine screws
This Instruction Sheet

Secura Key
A Division of SOUNDCRAFT Inc.

20301 Nordhoff Street • Chatsworth, CA 91311
phone 818-882-0020 • fax 818-882-7052
TOLL-FREE (800) 891-0020
E-mail: mail@securakey.com
Web site: www.securakey.com

INSTRUCTION TO THE USER

FCC ID: NNHETAGS9

This equipment has been tested and found to comply with the limits for a class B digital device, pursuant to part 15 of the FCC Rules. These limits are designed to provide reasonable protection against harmful interference in a residential installation. This equipment generates, uses and can radiate radio frequency energy and if not installed and used in accordance with the instructions, may cause harmful interference to radio communications. However, there is no guarantee that interference will not occur in a particular installation. If this equipment does cause harmful interference to radio or television reception, which can be determined by turning the equipment off and on, the user is encouraged to try to correct the interference by one or more of the following measures:

- Reorient or relocate the receiving antenna.
- Increase the separation between the equipment and receiver.
- Connect the equipment into an outlet of a circuit different from that to which the receiver is connected.
- Consult the dealer or an experienced radio/TV technician for help.

This equipment has been certified to comply with the limits for a class B computing device, pursuant to FCC Rules. In order to maintain compliance with FCC regulations, shielded cables must be used with this equipment. Operation with non-approved equipment or unshielded cables is likely to result in interference to radio and TV reception. The user is cautioned that changes and modifications made to the equipment without the approval of the manufacturer could void the user's authority to operate this equipment.



Secura Key
A Division of SOUNDCRAFT Inc.

20301 Nordhoff Street • Chatsworth, CA 91311
phone 818-882-0020 • fax 818-882-7052
TOLL-FREE (800) 891-0020
E-mail: mail@securakey.com
Web site: www.securakey.com