

Setup Instructions for Using the SK-MDM Modem with the Secura Key 28SA-Plus Access Control Unit and/or SK-ACP Advanced Control Panel

The new SK-MDM has been preconfigured to work with Secura Key access control systems and SK-NET-MLD software. (NOTE: SK-NET-DM and the free download version of SK-NET do not support modem connections.) **NOTE: This modem requires version 3.0 or later of SK-NET-MLD software.**

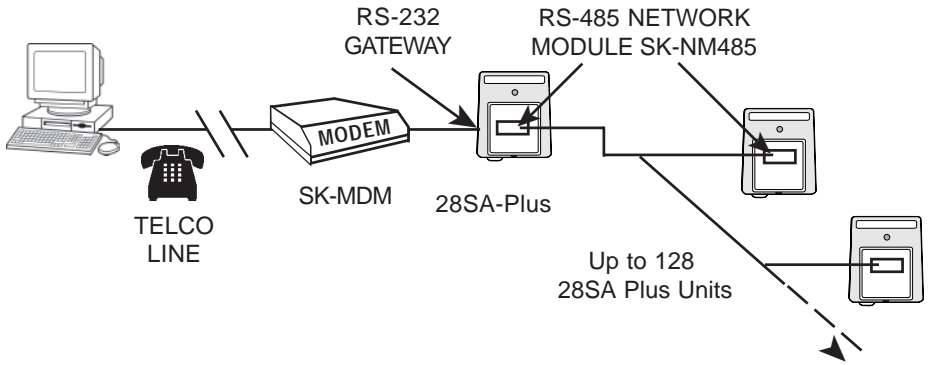
1. Plug the telephone cable provided into the SK-MDM and into the jack for a dedicated phone line.
2. Plug the serial cable (provided) into the DB25 outlet on the SK-MDM.
3. Connect the serial cable wires to the "Communication" portion of the 28SA-PLUS terminal block or to the J-7 connector on the SK-ACP.

PANEL / READER	WIRE COLOR	DB25
1	BLACK	7
2	WHITE	3
3	RED	8
4	GREEN	4
5	ORANGE	2

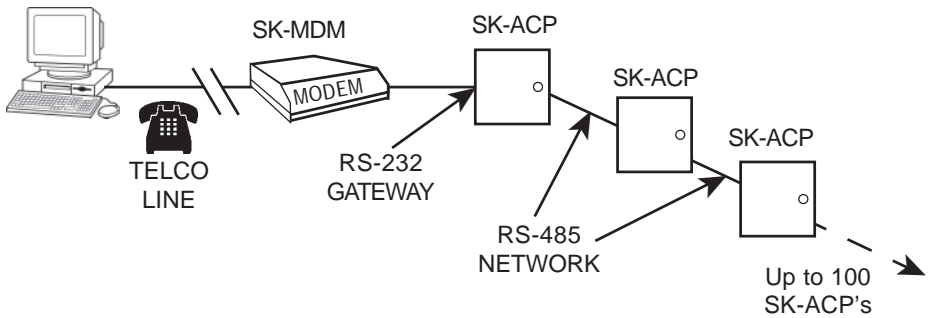
4. Connect the modem power supply to the SK-MDM and plug into a 110VAC wall outlet.
5. For added protection, the modem power lines, the phone line connection and the serial connection may be connected to suitable surge suppressors.
6. Establish connection from the computer to the access control system using SK-NET-MLD software. (Follow instructions in the SK-NET manual.)

OVER FOR REMOTE SITE MODEM CONFIGURATION with 28SA-PLUS

REMOTE SITE MODEM CONFIGURATION with 28SA-PLUS



REMOTE SITE MODEM CONFIGURATION WITH SK-ACP



WARRANTY: While Secura Key will be happy to help with modem-related problems, for best results contact a U.S. Robotics Service Center. To locate a convenient Service Center, go to www.usr.com. U.S. Robotics warrants this product for two years (detailed warranty is enclosed).

Secura Key

A Division of SOUNDCRAFT Inc.

20301 NORDHOFF STREET • CHATSWORTH, CA 91311
PHONE: (818) 882-0020 • FAX: (818) 882-7052
TOLL FREE: (800) 891-0020
E-mail: mail@securakey.com
Web site: www.securakey.com